

Input data

System of measurement		Metric
Input type		Gear motor
Input speed	[rpm]	1400
Output speed	[rpm]	140
Ratio (i=)		10
Frequency	[Hz]	50
Input options		IEC
Requested input power	[kW]	0.75
Service factor		4.1
Thermal power	[kW]	3.07

Output data

Gear unit	M RS 70 S (bolted) 10 80 B14 AS 28x60 LH MT 0.75 kW 80 B4 B14 X3 B3
------------------	--

Type		RS - Worm speed reducers
Input type		M
Size		70
Ratio (i=)		10
Input flange		B14
Mounting position		B3
Input speed	[rpm]	1400
Output speed	[rpm]	140
Rated output torque	[Nm]	44
Service Factor		4.1
Efficiency		0.86
Inertia moment	[kgm ²]	0.000274

Gear unit configuration

Output shaft		Single output shaft
Fixing		Feet
Version		S (bolted)

Output radial and axial loads

Ball bearings output radial load	[N]	2900
Taper bearings output radial load	[N]	3700
Ball bearings output axial load	[N]	580
Taper bearings output axial load	[N]	740

Accessories

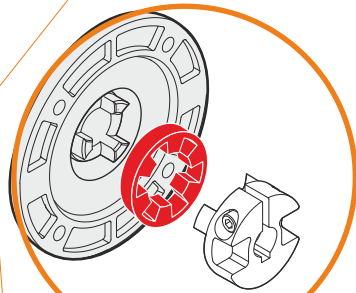
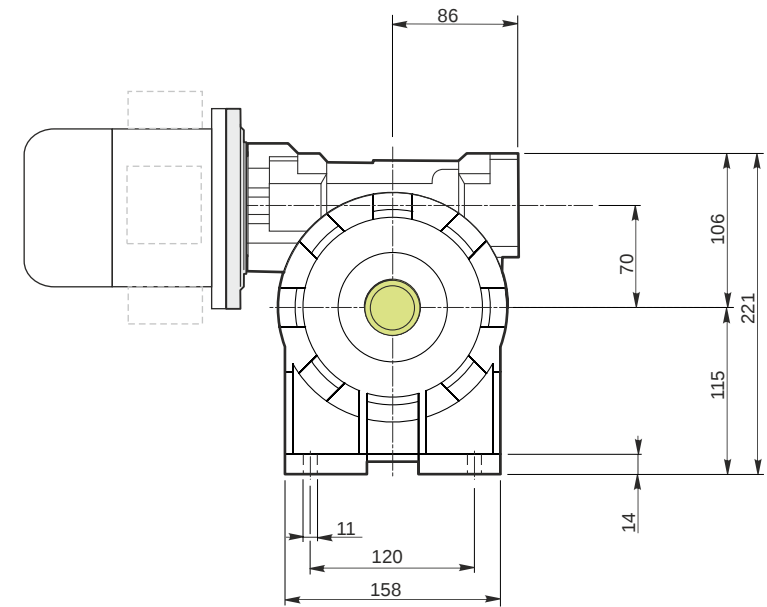
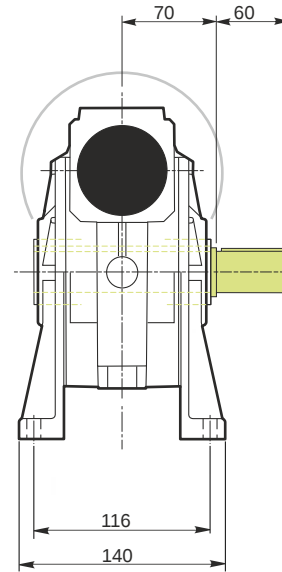
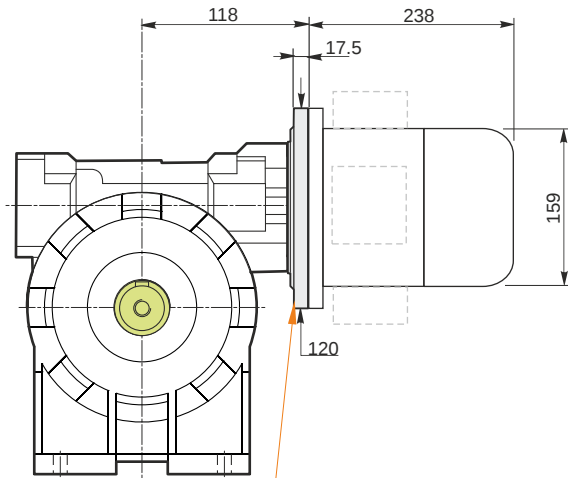
Single output shaft		AS 28x60 LH
---------------------	--	-------------

Electric motor

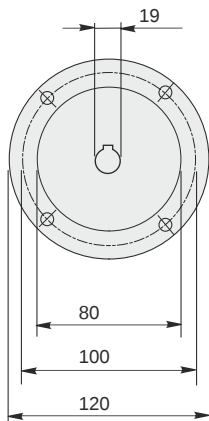
Size		80 B4
Poles		4
Power	[kW]	0.75

Electric motor configuration

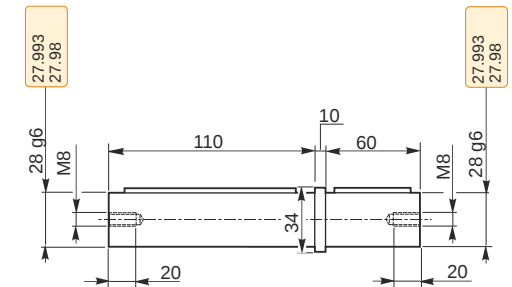
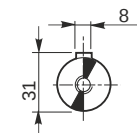
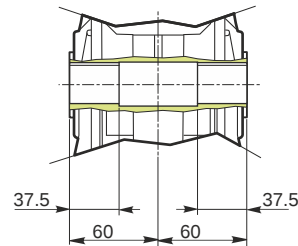
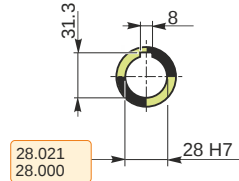
Motor flange		B14
Terminal box position		X3



This gear unit is provided with an elastic coupling motor fitting
 (more info)

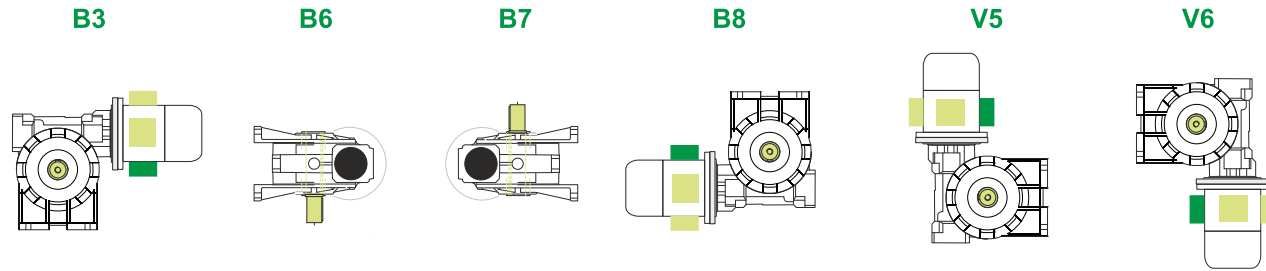


Hollow output shaft

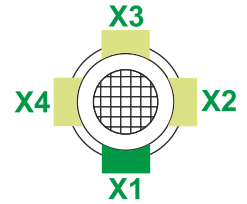


! Output shaft is delivered as loose accessory

Mounting positions



Terminal box position



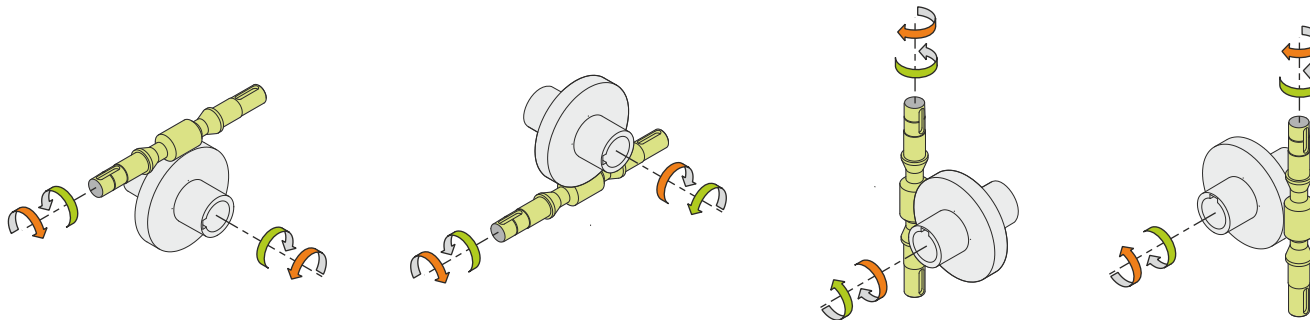
0.35



← Oil quantity [litres]

Lubricant type: Long life synthetic oil ISO VG320

Direction of rotation



Weight

Gear unit [kg]	9
Electric motor [kg]	9.8

Gearing data

Axial module	3.6
Number of starts	3
Lead angle	18° 38'
Pressure angle	20°

Backdriving

Static back-driving
Quick back-driving
Dynamic back-driving