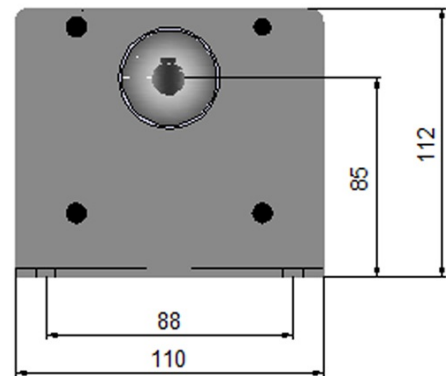
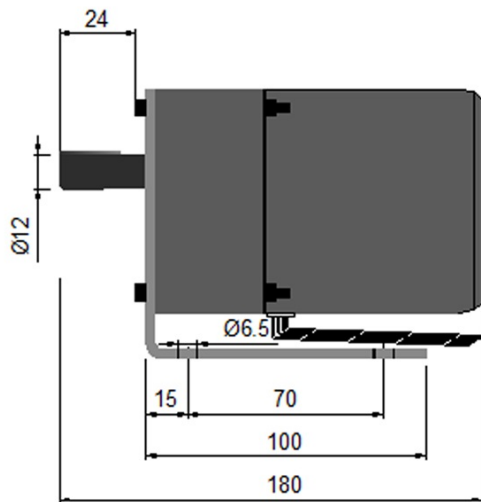


## 40/100

40 W / 100 RPM, 1-phase 230 V

Article no. F22040100

- Adapted for on/off run, alternatively via MicroStart
- Built-in thermoswitch, not routed to plinth
- Compact dimensions for embedding
- Two-year product guarantee



Technical data for 50 Hz, VVX-motor	40/100
Rated output	40 W
Rated current at 230 V	0,39 A
Rated speed (RPM)	100 rpm
Gear ratio	1:12,5
Rated torque	2,8 Nm
Enclosure class	IP23
Connection voltage	1x230 V
Weight incl. motor bracket	3,6 kg
Motor condenser	2,0 uF
Max rotor diameter at rotor speed 12 RPM	1050 mm